

THE BUILDINGS OF MOREFA BORTH

- the Marsh Harbour

Ceredigion



That part of Borth Village on a pebble bank with the sea on one side and the Cors Fochno marsh some reclaimed and the railway on the other. In the distance is the River Dyfi. Photograph Michael Lewis

Photographs and History by BERYL LEWIS

This work is for research and educational purposes only.

MORLAN BWTHYN

Morfa Borth

At the northern end of the village with the beach across the road. The taller section of the house is on the site of an old building part of Terfynau Farm in 1848 and on the boundary of the Henllys and Cyfoeth-y-brenin Townships. There were two cottages on this site by 1886 both had some land in Henllys. Called a 'Cottage by Moorland' (now Awelon) in 1910 and 'Moorlands Cottage' in 1963.



ABOVE Morlan Bwthyn in 2015

The name means as written 'marsh bank cottage' in Welsh. The house is set back from the road and has a one and a half storey section under a gable roof at right angles to the road with a full two storey section behind it, and on the north side of it a one storey section under a gable roof parallel to the road. The house has a chimney with one chimney pot, but room for two. The upper floor of the taller section opens on to a railed balcony which has a fine view of the sea. On the ground floor is a door into this section, and the owner of the house says this front is a rubble stone wall with rounded beach stones beneath the rendering which may be left from the old building. The lower section, also rendered, is enclosed by a low wall, and has the front door of the house. The windows are modern. There is a wide hard standing drive to the road. The south face of the taller section has solar panels on its roof and butts up against the rear extension of Awelon next door.

The ground for this house is the east side of the stone embankment thrown up by the sea, and once called 'waste' by the Crown Manor who originally owned it. The road goes back centuries and went to a ferry from Ynyslas to Aberdovey and was a turnpike road by the 1870s. It was a quick way to North Wales. The land behind the house was reclaimed from the Cors Fochno bog, also once 'waste', and was used as pasture.

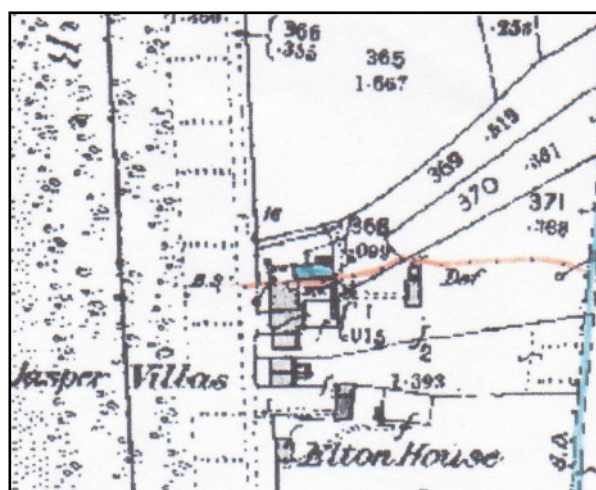


LEFT This was the land in 1848, and just below the number 111 was a building that was on the site of Morlan Bwythyn (Detail from the Tithe Apportionments Map of Llanfihangel Genau'r Glyn, Henllys Township). The blue lines at the top of the detail show part of the old course of the River Leri which had already been diverted from there by 1790 (Map, Gogerddan Estate T. Lewis National Library of Wales) The red line is the boundary between the Henllys and Cyfoeth-y-brenin

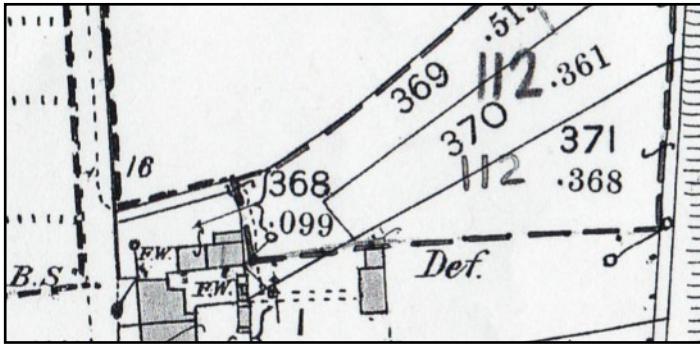
Townships, and a map of 1829 shows a water course had run along it and flowed out into the sea. The water course on the right of the detail was a watercourse the outflow from the corn mill at Glanlerry now gone, which was used to give the villagers fresh water. It also helped drain the former bog. The building on 111 is not coloured in and on this map buildings that were homes or farms were coloured in - so this building was not inhabited then. (See CYNEFIN on-line, National Library of Wales, Cardiganshire, Llanfihangel Geau'r Glyn).

The owner of 111, a small piece of land of only 2 perches, was a lawyer, John Lewis, called 'Big John' who wrote letters for the villagers and who had a house where Borth Station now stands and a small holding of about five acres in all. He called his home Terfynau, 'boundaries' in Welsh, because his house and Number 111 were both on the Henllys/Cyfoeth boundary. It was a cunning place to live, as people collecting the parish rates could be doubtful about which Township he should pay his rates for and perhaps he could get away with not paying either of them. He had bought the land from the Crown Manor in 1804 (Map 1829 Map National Archive LRRO 1/3060).

In 1851 at the Census, Number 111's building had become a cottage, and living there was a carpenter aged 42, David Morris, a local man, and his wife Mary who was born in Llansaintffraid. With them were their son Thomas 10 and daughter Jane 7. This cottage was the only dwelling in Morfa Borth in the Henllys Township. At the 1861 Census a wool weaver was living at Terfynau and David Morris and his family were not listed.

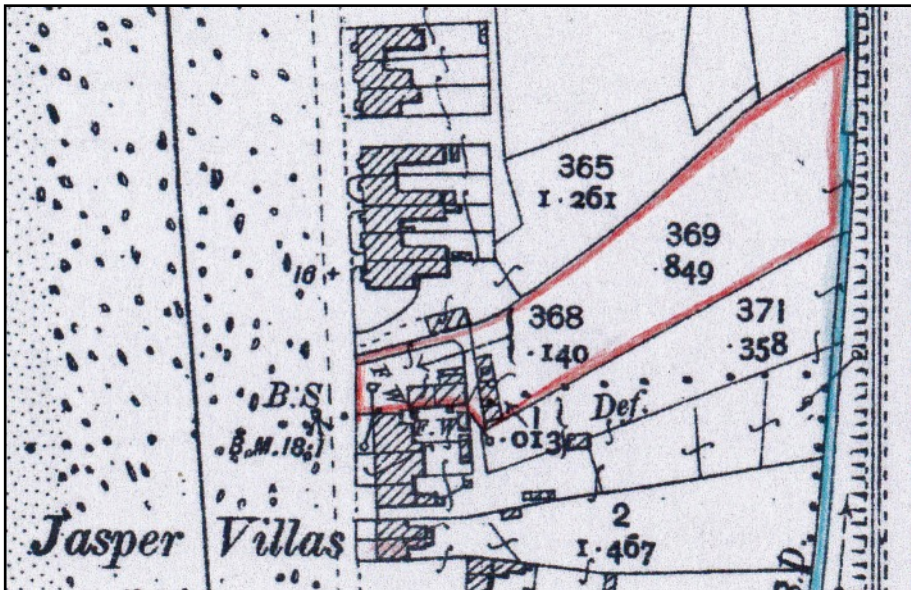


ABOVE Marked in green is the cottage - probably cottages - in 1886 and the surveyor's 'S' marks indicated that it owned the strips of land numbers 369 and 370. A track from the road on the north led to the land. The Township boundary is dotted and marked in red. (Detail from the 25 inch Ordnance Survey Map, surveyed in 1886, published in 1888, Cardiganshire III.10)



LEFT A detail from the 1888 map showing the cottages better, and the surveyor's 'S' marks. The cottage on the boundary is in two sections, possibly the front section was one cottage and the rear section with another. This map belonged to the Council, and someone there has put dashes round the Tithe Map field number

112 and written in its number, not once but twice!. (Ceredigion Archives)



LEFT A detail from the 1905 25 inch map. There is a range of new building at the rear of the old cottages. The red outline shows one owner for all of it in 1910 for the Valuation for a tax planned, but not levied. The

land measured over three quarters of an acre.

Next door, a Mr Rees was taking in holiday visitors at Morland House for nine weeks in 1871, and Mr William Williams was taking them in at 'Moreland House in 1880 (Cambrian News). William Williams was a carpenter and builder, 44 years old in 1901, with his wife Margaret and children including a son Thomas who became a carpenter like his father. He possibly came from Ynyslas where the children were born. Moreland House, now called Awelon was a substantial house and was next door to Morlan Bwthyn as can be seen on the map above. By 1910 Daniel E. Jones was the owner and occupier of 'Awulon formerly Moorland'. In 1910, aged 69, Mr Williams was the tenant of the 'Cottage by Moorlands' (Morlan Bwythyn). It was valued at £150. The owner was an Aberystwyth man Joseph Davies. There would have been £1.1s to pay, £1.6s gross. This was the valuation of a humble cottage. William Williams would have found some useful workspace in the old cottages and outbuildings. In 1910 the three quarters of an acre would have enabled him to keep a horse for a cart, or possibly a milk cow and he also had parcels of land by the Jasper Villas and opposite the Wesleyan Chapel (Ceredigion Archives T/DV/18 and map at the National Library of Wales)

In 1911 at the Census Mr Williams and his wife had moved away to live in a Villa built by Gregson at Ynyslas. His daughter Margaret Elizabeth Williams was looking after them. There is no mention of Moreland Cottage in Henllys in this Census.

In 1925 and 1934 there was a 'Swn-y-don' (sound of the waves) owned by John H. James and with Daniel John Richards as tenant and in 1934 the Council had written the name

'Moorland Cottage' above this. There was £6 to pay £10 gross, once again a not very valuable property. In 1938 and 1949 there was just a Swn-y-don listed. Alan C. Scribberor paid the rates for it. However, there is no satisfactory other evidence that this was the 'Cottage by Moorland'.

In 1957 and 1963 for 'Moorland Cottage' the rates were paid by Morris Livingston. Henry L. Livingston had a vote for the house in 1963.

Today the house name has been translated into Welsh.

The old buildings have been transformed into a good house and a recent map shows it with a small back garden. The house opens on to a lane that curves round behind Awelon, Caerffynon and Hafan-wen. The land that formerly went with it is now part of the Golden Sands Caravan Park.

Archifdy Ceredigion Archives
yn cyflwyno / presents
Tai'r Borth / Houses of Borth
gan/by Beryl Lewis
[cyf/ref ADX/1629]

Mae **Tai'r Borth** yn cynnwys dros 350 hanes sy'n ymwneud ag adeiladau unigol ac mae'r hanesion wedi'u darlunio â chyfoeth o ffotograffau, mapiau a dogfennau. Mae'r ffeiliau ar gael ar ein gwefan: <https://www.archifdy-eredigion.org.uk/tairborth.php?lang=cy>

Hoffem ddiolch i Beryl am fod mor garedig â chaniatáu i ni rannu ei gwaith â'r gynulleidfa ehangaf bosibl.

Ceidw Beryl Lewis yr hawlfraint yn ei gwaith ac mae'r hanesion yn cael eu rhannu at ddibenion preifat ac ymchwil yn unig.

Houses of Borth consists of over 350 histories of individual buildings, lavishly illustrated with photographs, maps and documents. All the files are available from our website: <https://www.archifdy-eredigion.org.uk/tairborth.php>

We would like to thank Beryl for her kindness in letting us share her work with the widest possible audience.

Beryl Lewis retains the copyright in her work and the histories are made available for private use and research only.



Cyngor Sir
CEREDIGION
County Council



Archifdy
Ceredigion
Archives